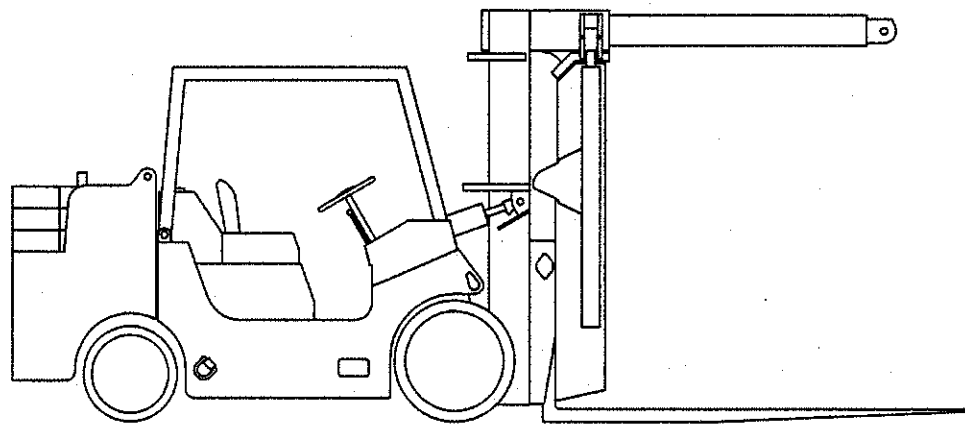


735-1

LIFT CAPACITY CHART

VERSA-LIFT

MODEL 25/35
with SIDE SHIFTER



CUSTOM MOBILE EQUIPMENT, INC.

439 EAST HIGH STREET, BALDWIN CITY, KS 66006
(785) 594-7474 FAX (785) 594-7475

25/35 Versa-Lift with 0 Counterweight Slabs and Sideshifter Carriage

Slab Weight (lbs)
1900

Number of Slabs
0

Standard Wheel Base (in)
76

Lift Capacities w/Forks Only (lbs)					
		Counterweight Extension (in)			
		0 12 24 36			
		0	12	24	36
Load Center From Fork Face (in)	24	15100	17500	19900	22300
	36	12200	14100	16100	18100
	48	10200	11900	13500	15100
	60	8800	10200	11600	13000
	72	7700	9000	10200	11500
	84	6900	8000	9100	10200

Lift Capacities w/Boom Only (lbs)					
		Counterweight Extension (in)			
		0 12 24 36			
		0	12	24	36
Load Center From Boom Face (in)	12	14300	16800	19200	21600
	24	11600	13500	15500	17500
	36	9700	11400	13000	14600
	48	8400	9800	11200	12600
	60	7400	8600	9800	11100
	72	6600	7700	8800	9900
	84	5900	6900	7900	8900
	96	5400	6300	7200	8100

Lift Capacities w/Forks & Boom (lbs)					
		Counterweight Extension (in)			
		0 12 24 36			
		0	12	24	36
Load Center From Boom Face (in)	24	10700	12600	14600	16500
	36	9000	10600	12200	13900
	48	7700	9100	10500	11900
	60	6800	8000	9300	10500
	72	6000	7100	8200	9400
	84	5400	6400	7400	8400
	96	5000	5900	6800	7700

***All Load Capacities are rated with the mast vertical.

25/35 Versa-Lift with 1 Counterweight Slabs and Sideshifter Carriage

Slab Weight (lbs)
1900

Number of Slabs
1

Standard Wheel Base (in)
76

Lift Capacities w/Forks Only (lbs)					
		Counterweight Extension (in)			
		0	12	24	36
Load Center From Fork Face (in)	24	17600	20400	23200	26100
	36	14200	16500	18800	21000
	48	11900	13800	15700	17700
	60	10300	11900	13600	15200
	72	9000	10500	11900	13400
	84	8000	9300	10600	11900

Lift Capacities w/Boom Only (lbs)					
		Counterweight Extension (in)			
		0	12	24	36
Load Center From Boom Face (in)	12	16900	19700	22500	25300
	24	13600	15900	18200	20500
	36	11400	13300	15200	17200
	48	9800	11500	13100	14800
	60	8600	10100	11500	13000
	72	7700	9000	10300	11600
	84	7000	8100	9300	10400
	96	6300	7400	8400	9500

Lift Capacities w/Forks & Boom (lbs)					
		Counterweight Extension (in)			
		0	12	24	36
Load Center From Boom Face (in)	24	12700	15000	17300	19500
	36	10700	12600	14500	16400
	48	9200	10800	12500	14100
	60	8100	9500	10900	12400
	72	7200	8500	9800	11000
	84	6500	7600	8800	10000
	96	5900	7000	8000	9100

***All Load Capacities are rated with the mast vertical.

25/35 Versa-Lift with 2 Counterweight Slabs and Sideshifter Carriage

Slab Weight (lbs)
1900

Number of Slabs
2

Standard Wheel Base (in)
76

Lift Capacities w/Forks Only (lbs)					
		Counterweight Extension (in)			
		0	12	24	36
		Load Center From Fork Face (in)	24	20100	23300
36	16300	18900	21400	24000	
48	13600	15800	18000	20200	
60	11700	13600	15500	17400	
72	10300	12000	13600	15300	
84	9200	10700	12100	13600	

Lift Capacities w/Boom Only (lbs)					
		Counterweight Extension (in)			
		0	12	24	36
		Load Center From Boom Face (in)	12	19400	22600
24	15700	18300	20900	23400	
36	13100	15300	17500	19700	
48	11300	13200	15100	16900	
60	9900	11600	13200	14900	
72	8900	10300	11800	13300	
84	8000	9300	10600	12000	
96	7300	8500	9700	10900	

Lift Capacities w/Forks & Boom (lbs)					
		Counterweight Extension (in)			
		0	12	24	36
		Load Center From Boom Face (in)	24	14700	17300
36	12400	14500	16700	18900	
48	10600	12500	14400	16300	
60	9400	11000	12600	14300	
72	8300	9800	11300	12700	
84	7500	8800	10200	11500	
96	6800	8100	9300	10500	

***All Load Capacities are rated with the mast vertical.

25/35 Versa-Lift with 3 Counterweight Slabs and Sideshifter Carriage

Slab Weight (lbs)
1900

Number of Slabs
3

Standard Wheel Base (in)
76

		Lift Capacities w/Forks Only (lbs)			
		Counterweight Extension (in)			
		0	12	24	36
Load Center From Fork Face (in)	24	22600	26200	29900	33500
	36	18300	21200	24100	27000
	48	15300	17800	20200	22700
	60	13200	15300	17400	19500
	72	11600	13500	15300	17200
	84	10300	12000	13600	15300

		Lift Capacities w/Boom Only (lbs)			
		Counterweight Extension (in)			
		0	12	24	36
Load Center From Boom Face (in)	12	21900	25500	29100	32700
	24	17700	20600	23500	26400
	36	14800	17300	19700	22200
	48	12800	14900	17000	19100
	60	11200	13100	14900	16800
	72	10000	11700	13300	15000
	84	9000	10500	12000	13500
	96	8200	9600	10900	12300

		Lift Capacities w/Forks & Boom (lbs)			
		Counterweight Extension (in)			
		0	12	24	36
Load Center From Boom Face (in)	24	16800	19700	22600	25500
	36	14100	16500	19000	21400
	48	12100	14200	16300	18400
	60	10600	12500	14300	16200
	72	9500	11100	12800	14400
	84	8600	10000	11500	13000
	96	7800	9100	10500	11900

***All Load Capacities are rated with the mast vertical.