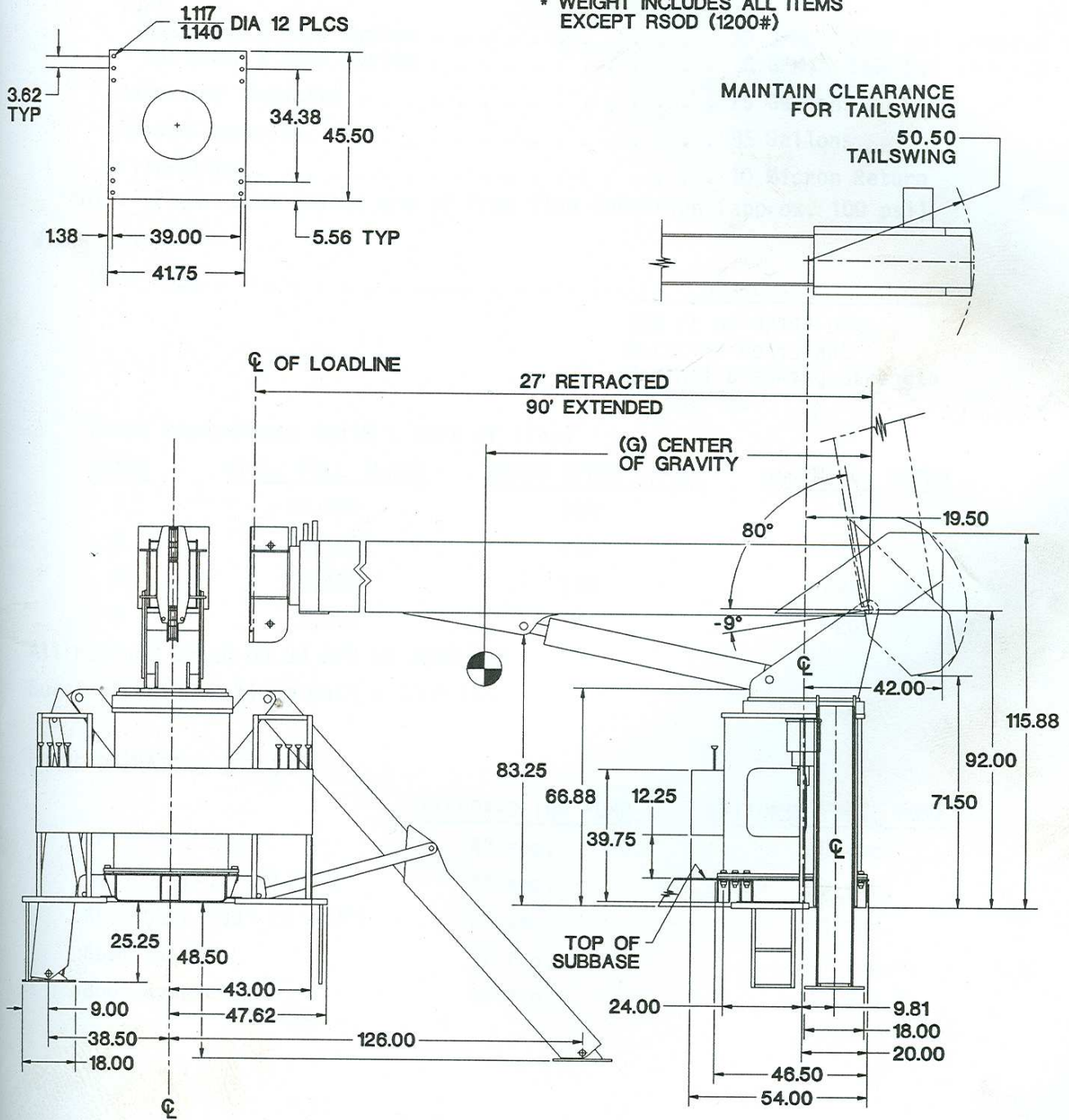


# SPECIFICATION

## DIMENSIONAL SPECIFICATION

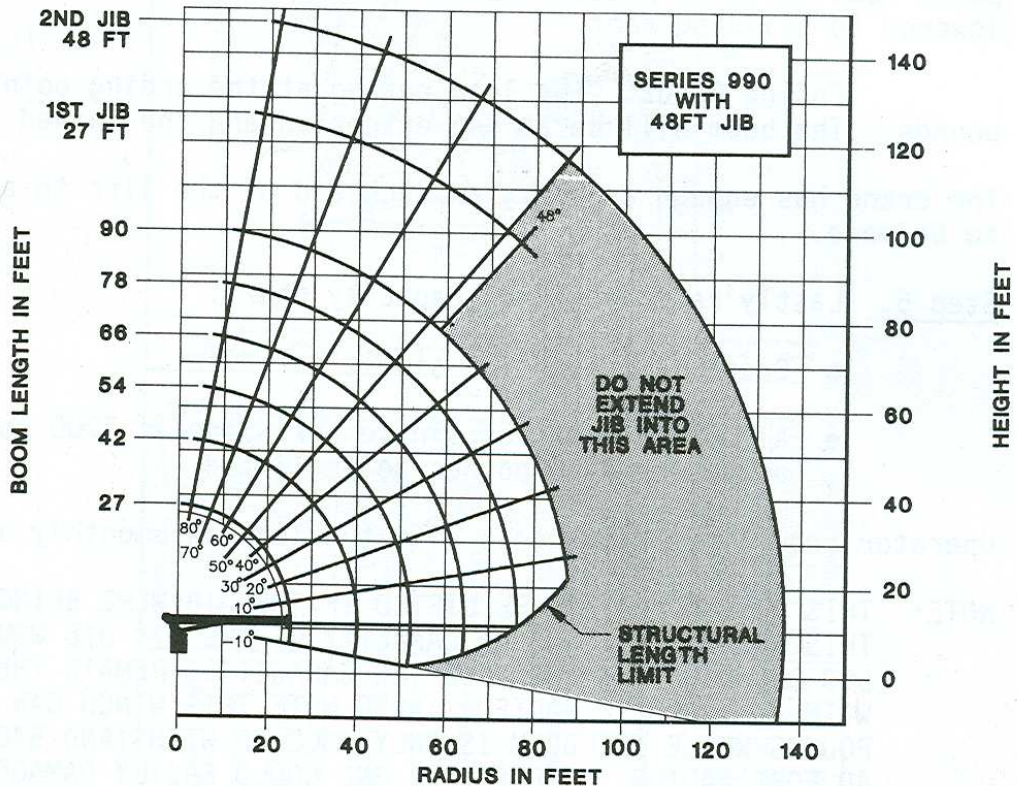
SERIES	RETRACTED LENGTH	EXTENDED LENGTH	G	DRY * WT/LB	WITH OIL * WT/LB
990	27 FT	90 FT	98"	19,000 *	19,800 *
969	27 FT	69 FT	90"	17,400 *	18,150 *

\* WEIGHT INCLUDES ALL ITEMS EXCEPT RSOD (1200#)



# NATIONAL CRANE CORPORATION

875825



NOTE:

1. OPERATE WITH JIB BY RADIUS, WHEN MAIN BOOM IS FULLY EXTENDED. IF NECESSARY INCREASE BOOM ANGLE TO MAINTAIN LOADED RADIUS.
2. OPERATE WITH JIB BY BOOM ANGLE WHEN MAIN BOOM IS NOT FULLY EXTENDED. DO NOT EXCEED RATED JIB CAPACITIES AT ANY REDUCED BOOM LENGTHS.

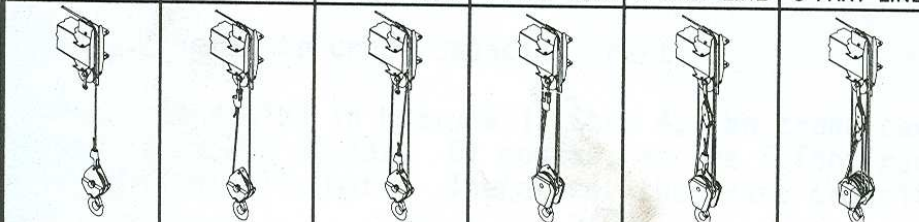
## LOAD RATINGS

LOAD RADIUS (FEET)	LOADED BOOM ANGLE	27FT BOOM (LBS)	LOADED BOOM ANGLE	42FT BOOM (LBS)	LOADED BOOM ANGLE	54FT BOOM (LBS)	LOADED BOOM ANGLE	66FT BOOM (LBS)	LOADED BOOM ANGLE	78FT BOOM (LBS)	LOADED BOOM ANGLE	90FT BOOM (LBS)	LOAD RADIUS (FEET)	LOADED BOOM ANGLE	27FT JIB (LBS)	LOADED BOOM ANGLE	48FT JIB (LBS)
5	79	46,000											30	77	4,800	79½	3,100
8	72	32,300											35	74½	4,300	77½	2,900
10	67	26,700	76½	23,500	80	22,000							40	72	3,850	75½	2,700
12	62	22,800	73½	20,500	77½	18,800							45	69	3,000	73½	2,500
14	57	19,800	70½	17,700	75½	16,400	79	15,200					50	66½	2,450	71½	2,300
16	51	17,400	67½	15,700	73½	14,500	77	13,300	79½	12,400			55	63½	2,000	69½	2,100
20	37	13,800	61	12,700	68½	11,700	73	10,800	76½	10,000	79	9,500	60	60½	1,600	67	1,800
25			52½	10,100	62½	9,400	68½	8,700	72½	8,000	75½	7,800	65	57½	1,300	64½	1,500
30			43	8,250	56	7,800	63½	7,100	68½	6,500	72	6,100	70	54½	1,000	62	1,250
35			30	6,850	49	6,400	58½	6,000	64½	5,450	68½	5,100	75	51½	750	59½	1,050
40					41	5,400	53	5,100	60	4,650	65	4,400	80	48	500	57	850
45					31½	4,400	47	4,400	55½	4,000	61½	3,800	85			54	650
50					17	3,100	40½	3,650	51	3,500	57½	3,250	90			51	450
55							32½	3,000	45½	3,000	53½	2,800					
60							22	2,250	40	2,500	49	2,400					
65									33	2,050	44½	2,050					
70									25	1,550	39½	1,700					
75									11	700	34	1,350					
80											27	1,000					
85											17	500					

### LOADLINE EQUIPMENT DEDUCT

DOWNHAUL WEIGHT=150  
 ONE SHEAVE BLOCK=200  
 TWO SHEAVE BLOCK=355  
 THREE SHEAVE BLOCK=530

1 PART LINE    2 PART LINE    3 PART LINE    4 PART LINE    5 PART LINE    6 PART LINE



MAX. PULL  
7,700 LBS

MAX. PULL  
15,400 LBS

MAX. PULL  
23,100 LBS

MAX. PULL  
30,800

MAX. PULL  
38,500 LBS

MAX. PULL  
46,000 LBS

## NOTICE

DO NOT DEADHEAD LINE BLOCK AGAINST BOOM TIP WHEN EXTENDING BOOM.  
 KEEP AT LEAST 3 WRAPS OF LOADLINE ON DRUM AT ALL TIMES.  
 USE ONLY 9/16" DIAMETER ROTATION RESISTANT CABLE WITH 38,500 LBS BREAKING STRENGTH ON THIS MACHINE.

MAXIMUM CAPACITY WITH "BURST OF SPEED" IS 3,000 LBS.